

SPIERINGS KRANEN

Mark: **SPIERINGS**

Type: **SK488-AT4**

Crane identification

Serial number:

Crane group : 3 as per NEN 2018

Loadspectrum : 2 as per NEN 2018

Classification : A as per NEN 2018

Stability : as per NEN 2022

Identification-number

93 tm

Max. load

8,0 tonne

Max. radius with max. load

12,76 m

Max. capacity

102 tm

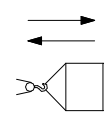
Max. jib length

40m

Year of construction:

Speeds

Jib horizontal / jib 30° luffed

	m/min	kg
	18	8000
	27	4000
	40	2000
	75	0

0 - 70 m/min

0-0,9 rpm

All motions with hydraulic proportional controls

Luffing the jib 30° can be controlled from

crane cab or via remote control

Driving with erected lower and jib, only with the jib horizontal and positioned over the front carriage, platform locked to the carrier and the outriggers fully extended (max. inclination 2°)

Rated lifting capacity is net capacity

Crane equipped with full counterweight: **9300 kg**

360° continuous slewing,

with outriggers out and down

2 Outriggers positions: **6,90 x 6,70 m**

6,90 x 5,15 m

Operation allowed up to a windforce of 7

on the Beaufortscale. (wind speed 17 m/sec.)

Sail area of the load max. 1,0 m² / tonne at a

windforce of 7 on the Beaufortscale.

Operating temperature range from -15° to 40° C.

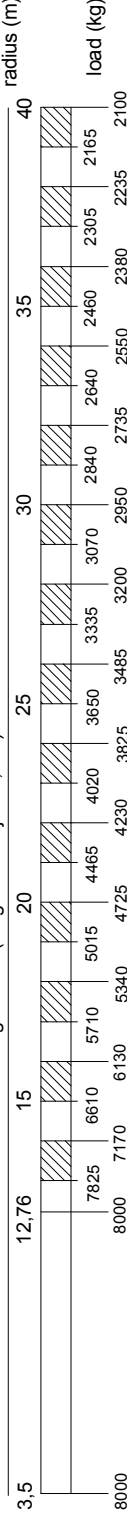
In all cases 2 parts of line

Max. line pull force **4000 kg**

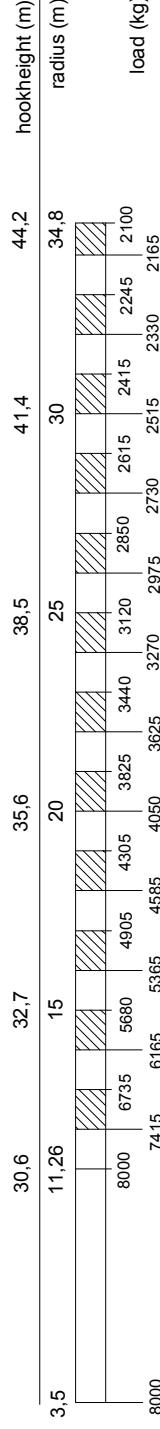
The crane should be folded in at a windforce >9 (21m/sec) or when not in use for a longer period

Jib horizontal

Hookheight 25 m (height under jib 26,8 m)



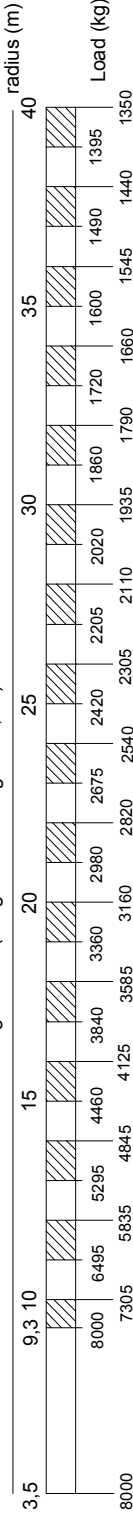
Jib 30° luffed



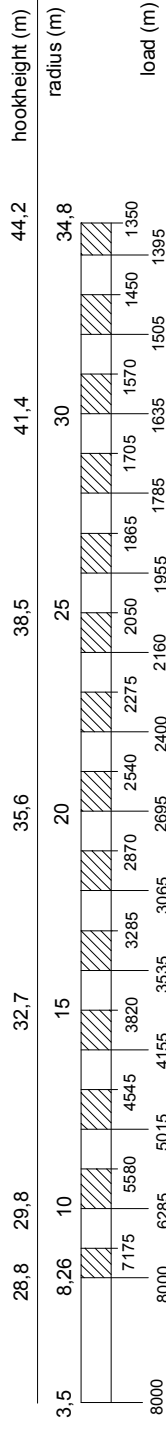
LIFTING CHART Outrigger spread 6,90 m x 5,15 m

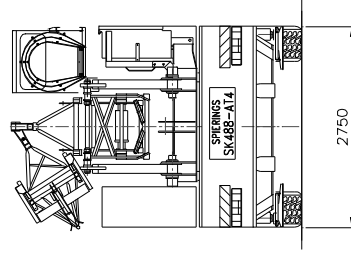
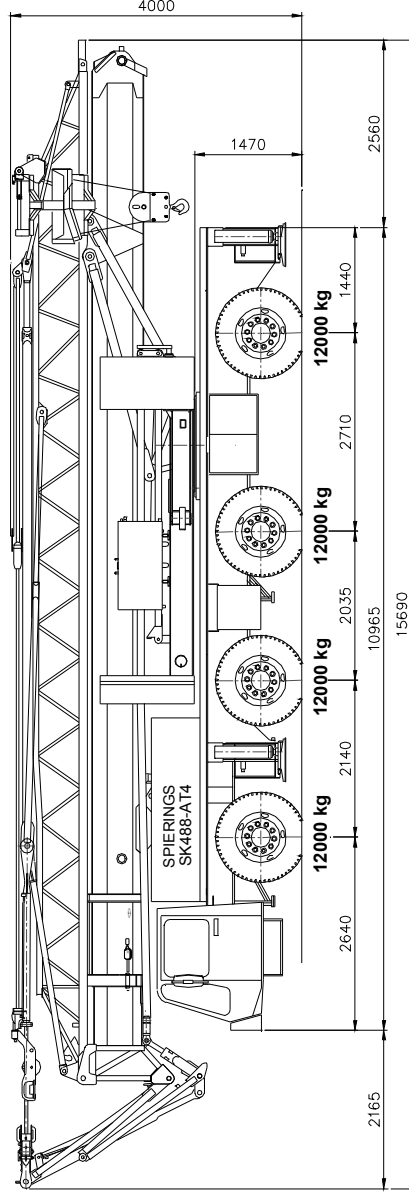
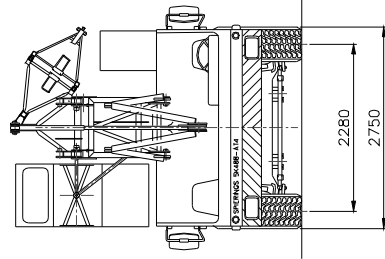
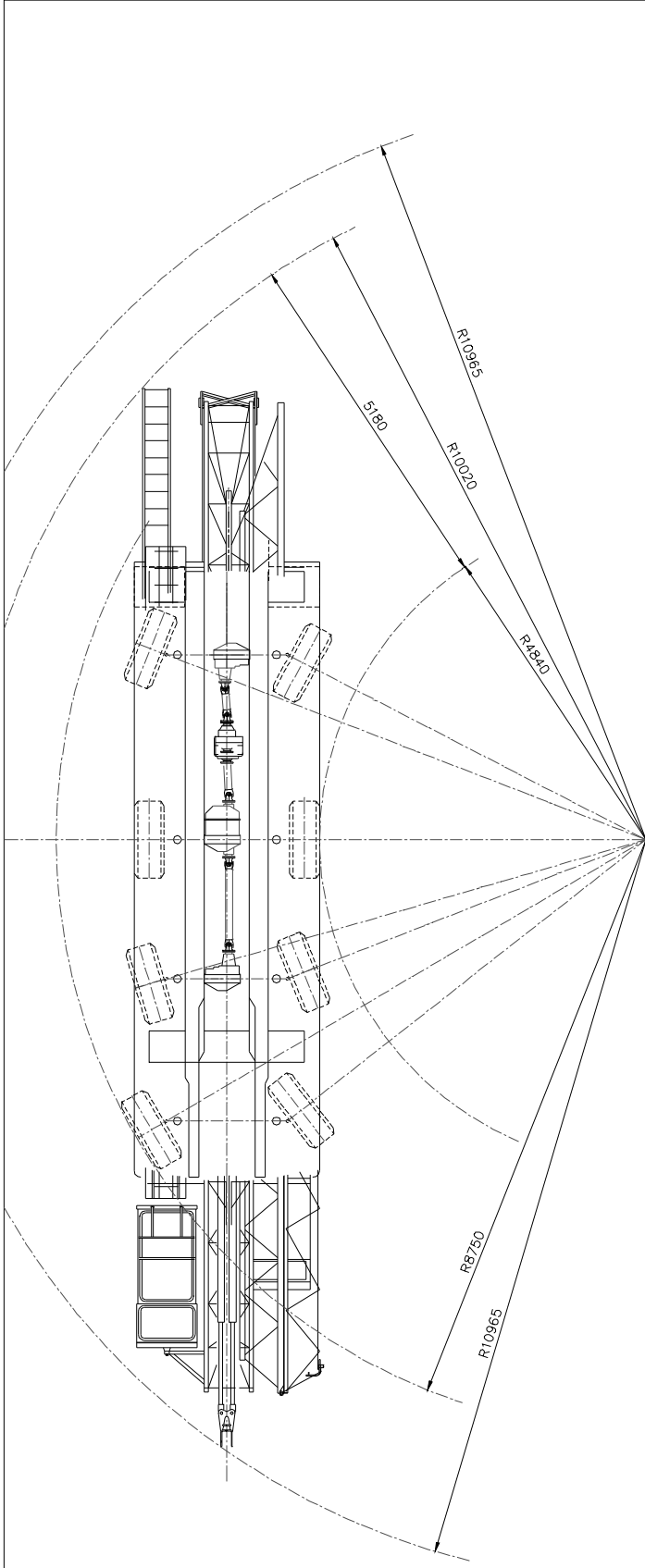
Jib horizontal

haakhoogte 25 m (hoogte onder de giek 26,8m)



Jib 30° luffed





SPIERINGS HYDRAULIC FOLDING CRANE

SK 488 - AT4


SPIERINGS KRANEN bv
 Merwedestraat 15
 5347 KZ Oss NL
 Tel. 04 12-626964
 Fax 0412-645299

Total weight: 4800 kg

SPIERINGS HYDRAULIC FOLDING CRANE SK 488 - AT4



Menvedestraat 15
5347 KZ Oss NL
Tel. (31) 412 626964
Fax (31) 412 645299

