



**SPIERINGS
KRANEN**

Mark: **SPIERINGS** Type: **SK598-AT5**

Crane identification

Serial number: <input type="text"/>	Crane group : 3 as per NEN 2018	Identification-number	Max. load	Max. radius with max. load	Max. capacity	Max. jiblength
Year of construction: <input type="text"/>	Loadspectrum : 2 as per NEN 2018	92 tm	8,0 tonne	12,8 m	103 tm	48 m
	Classification : A as per NEN 2018					
	Stability : as per NEN 2022					

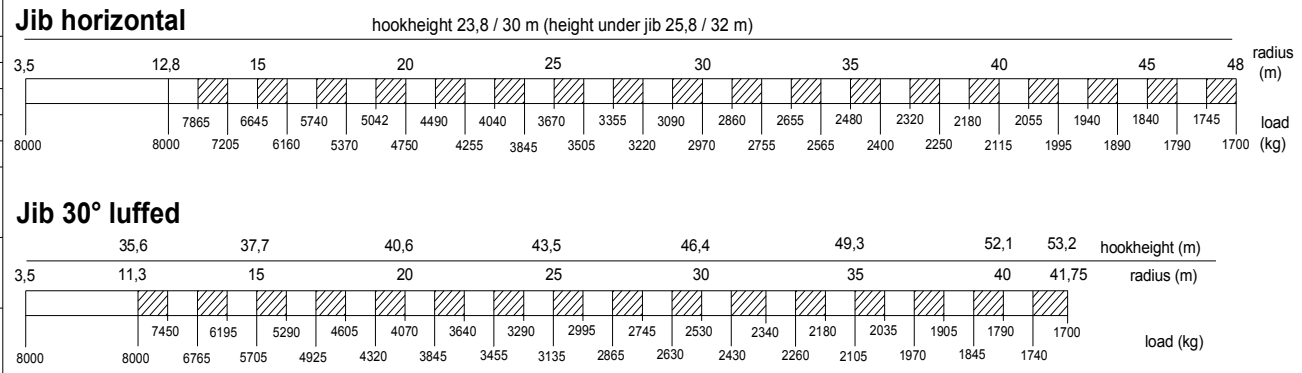
Speeds

Jib horizontal / jib 30° luffed

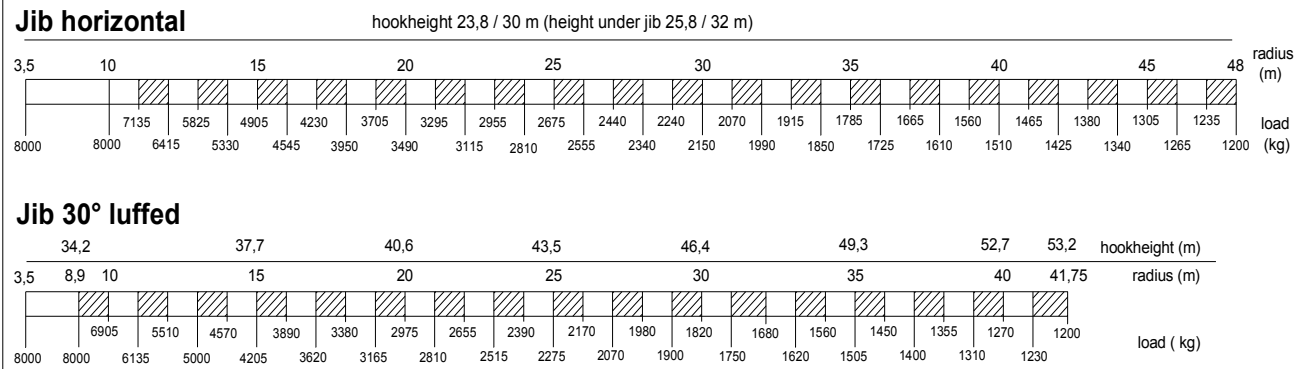
	m/min	kg
	20	8000
	30	4000
	45	2000
75	0	
	0 - 70 m/min	
	0-0,8 rpm	

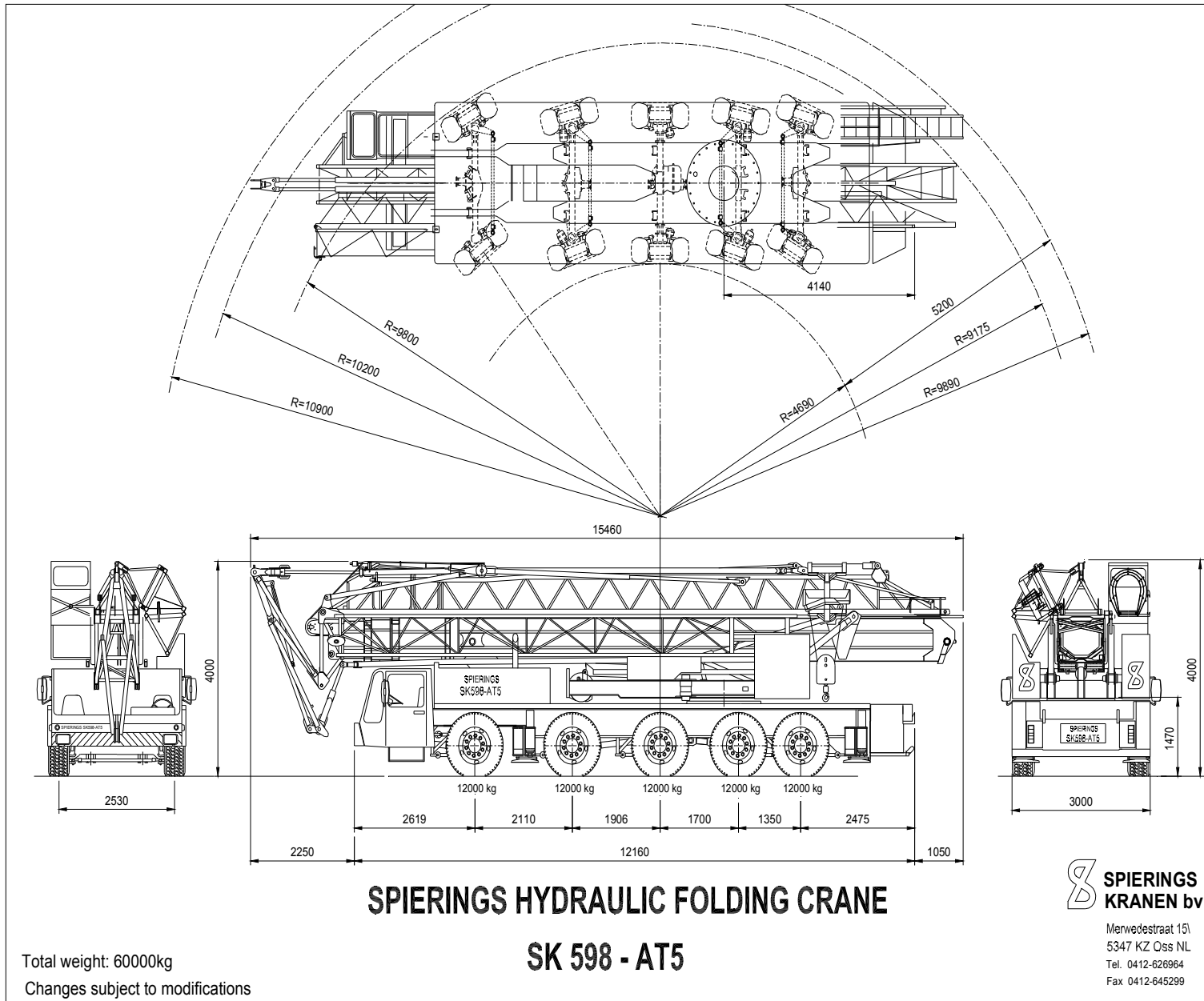
All motions with hydraulic proportional controls
Luffing the jib 30° can be controlled from crane cab or via remote control
Driving with erected tower and jib, only with the jib horizontal and positioned over the front carriage, platform locked to the carrier and the outriggers fully extended (max. inclination 2°)
Rated lifting capacity is net capacity
Crane equipped with full counterweight: 8700 kg
360° continuous slewing, with outriggers out and down
2 Outriggers positions: 7,20 x 7,20 m
7,20 x 5,65 m
Operation allowed up to a windforce of 8 on the Beaufortscale. (wind speed 20 m/sec.)
Sail area of the load max. 1,0 m² / tonne at a windforce of 8 on the Beaufortscale.
Operating temperature range from -15° to 40° C.
In all cases 2 parts of line
Max. line pull force 4000 kg
The crane should be folded in at a windforce >10 (24m/sec) or when not in use for a longer period

LIFTING CHART Outrigger spread 7,20 m x 7,20 m

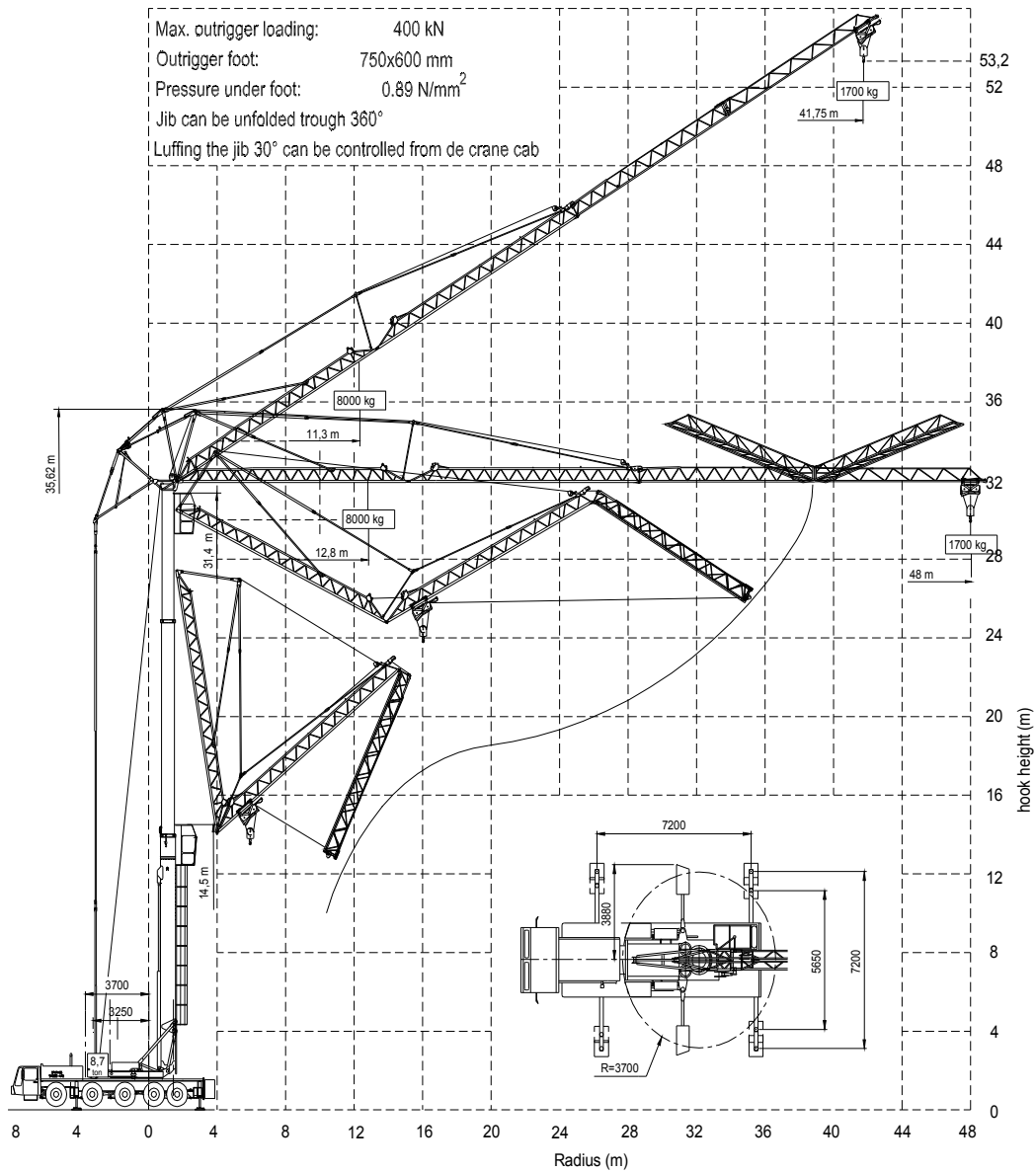


LIFTING CHART Outrigger spread 7,20 m x 5,65 m





Max. outrigger loading: 400 kN
 Outrigger foot: 750x600 mm
 Pressure under foot: 0.89 N/mm²
 Jib can be unfolded trough 360°
 Luffing the jib 30° can be controlled from de crane cab



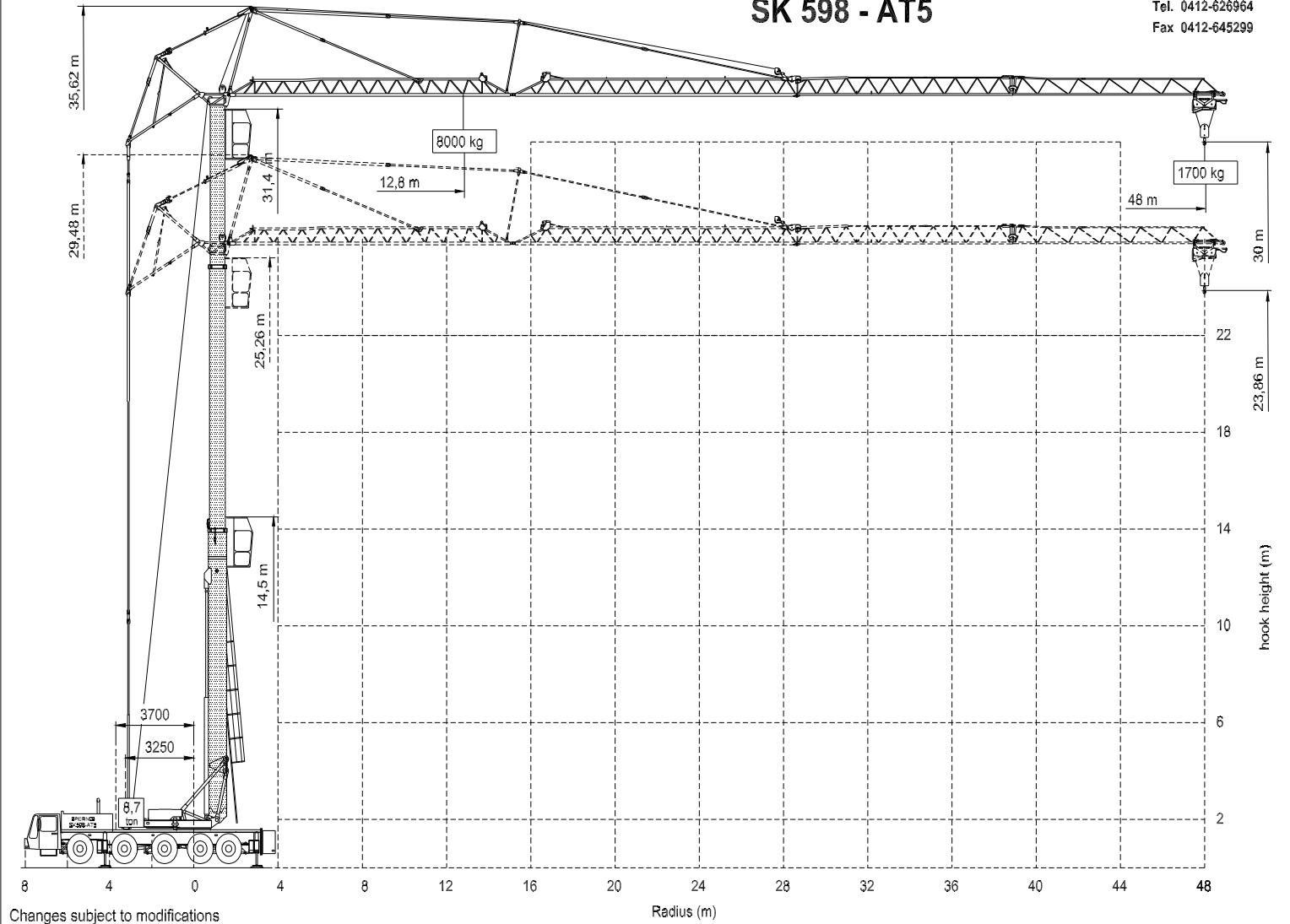
SPIERINGS HYDRAULIC FOLDING CRANE SK 598 - AT5


**SPIERINGS
 KRANEN** bv
 Merwedestraat 15
 5347 KZ Oss NL
 Tel. 0412-626964
 Fax 0412-645299

Changes subject to modifications

SPIERINGS HYDRAULIC FOLDING CRANE SK 598 - AT5

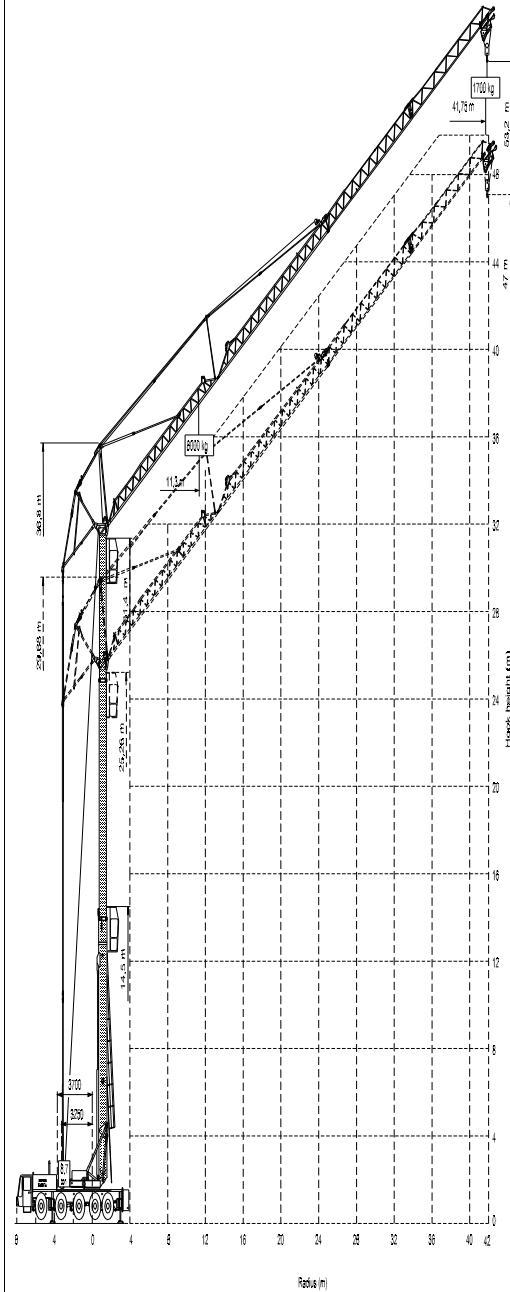

**SPIERINGS
KRANEN bv**
 Merwedestraat 15
 5347 KZ Oss NL
 Tel. 0412-626964
 Fax 0412-645299





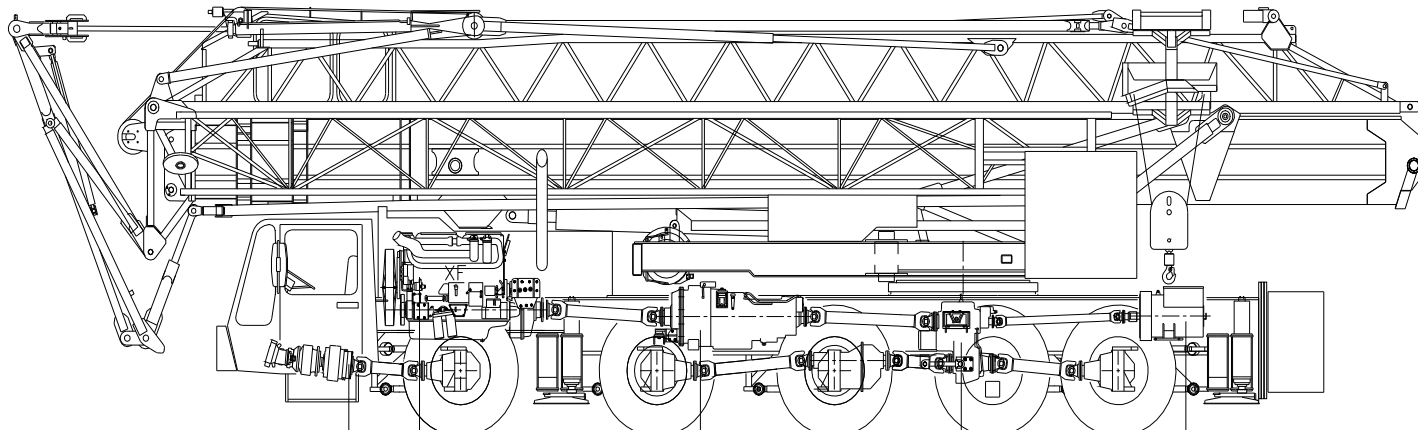
SPIERINGS
HYDRAULIC FOLDING CRANE
SK 598 - AT5

Merveestraat 15
5347 KZ Oss NL
Tel. 0412-428684
Fax. 0412-445259



Changes subject to modifications

Drive train SPIERINGS SK598-AT5



Hydraulic front axle drive
HYDRAUDINE hydro-adj. motor A6VM
BREVINI planetary gearbox:
ED 2090 FE / 14,3

Axle 1

Diesel engine :
DAF XF 315M
Power: 315 Kw (2000 rpm)
Torque: 1900 Nm (1050 rpm)

Axle 2

Gearbox
ZF 16S221 + WSK400
Manually operated with air power ass.
+ Dry plate clutch
+ interarder

Axle 3

Axle 4

Transfercase
STEYR VG2001/396
Road gear $i=1,0,89$
Off-road gear $i=1,1,54$

Axle 5

Generator:
LSA 44.1M4 - 85kVA

Axles 1,2,3 and 5 : GINAF axles with DAF drive components

Axle 4 : GINAF axle, not driven

Suspension: Hydro-pneumatic on all axles, stroke ram 210 mm

Max. speed carrier : 80 km/h

Min. speed carrier (engine speed 1000 rpm) : 1,6 km/h

SPIERINGS HYDRAULIC FOLDING CRANE
Typ SK598-AT5

 SPIERINGS
KRANEN bv

Merwedestraat 15
5347 KZ Oss NL
Tel. 0412-626964
Fax 0412-645299

subject to modifications